

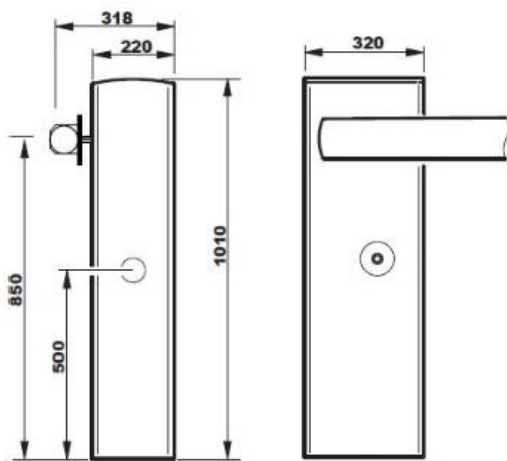


# QRDBAR3M-QRDBAR4M-QRDBAR6M

The barriers **QRDBAR3M - QRDBAR4M - QRDBAR6M** are designed for the control of vehicles in restricted accesses with heavy traffic. Outer cabinet in steel with cathaphoresis treatment and polyester painted. 24 V motor with encoder and programmable control panel with end-of-travel deceleration functions and obstacle detection system. It incorporates external release for manual maneuver in case of power failure. Optional oval arm can be installed with LED lighting up to 5 m.

Technical Specifications	QRDBAR3M	QRDBAR4M	QRDBAR6M
Power Vac	230 Vac; 50 60Hz	230 Vac; 50 60Hz	230 Vac; 50 60Hz
Engine	24 Vdc	24 Vdc	24 Vdc
Torque	125 Nm	125 Nm	230 Nm
Power	100 W	100 W	100 W
Position control	Optical encoder	Optical encoder	Optical encoder
Arm length			
Oval arm	3 m	4 m	5 m
Round arm	3 m	4 m	6 m
Maneuvering time	2,5 s	3,5/6 s	4/9 s
Investment per impact	Yes	Yes	Yes
Thermal range	-20°C /+60°C	-20°C /+60°C	-20°C /+60°C
Cycles/day	1.000 c/d	1.000 c/d	1.000 c/d
MCBF	500.000 c	500.000 c	500.000 c
Protección	IP 54	IP 54	IP 54
Weight	48 Kg	48 Kg	48 Kg

## Dimensions and Details



- 24 Vdc electromechanical barrier with encoder.
- Use in heavy traffic.
- Torque control with reversal in case of obstacle.
- Quick external release.
- Easy left/right hand changeover
- **Manufacture in stainless steel on request.**

## Related Accesories



Fork



Pendulum foot



Oval Arm H118



Oval arm H65



Arm joint



Valance



Leds KIT