

## Qualica-RD 6002-S/G/H

3-year  warranty

Types of handrails to close access control.

**Qualica-RD 6002-S-G-H.** Handrail designed to close the open space, thus completing the access control. The system can be combined well with various models of turnstiles, Qualica-RD high-speed gates and full-height turnstiles for use together.

The post and frame are made of durable, rust-resistant, brushed stainless steel. The center panel is made of glass and stainless steel material.

**3 years warranty.** It is suitable for indoor or outdoor applications. It can be easily mounted on the ground.



Biometrics

RFID

Barcode

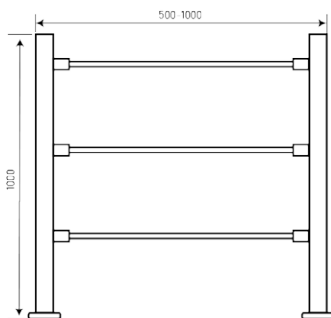
QR Code

## Technical specifications

<b>Post material</b>	304 stainless steel
<b>Panel material</b>	Glass/stainless steel 304
<b>Length</b>	500 - 1000mm
<b>Height</b>	- QRD-6002S: 1000mm - QRD-6002G: 1000mm - QRD-6002G05; 500mm - QRD6002H: 2000mm
<b>Weight</b>	- QRD6002S: 10kg/units - QRD6002G: 15kg/units - QRD6002H: 5kg/units
<b>Installation</b>	Floor mounting
<b>Optional model</b>	QRD-6002S, QRD-6002G, QRD-6002G05, QRD-6002H

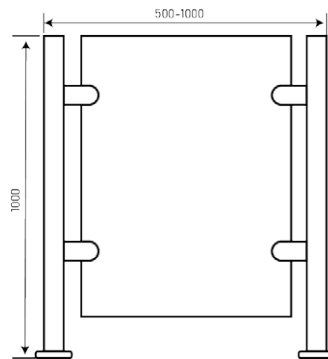
### QRD-6002S

Dimensions (mm)



### QRD-6002G

Dimensions (mm)



### QRD-6002H

Dimensions (mm)

